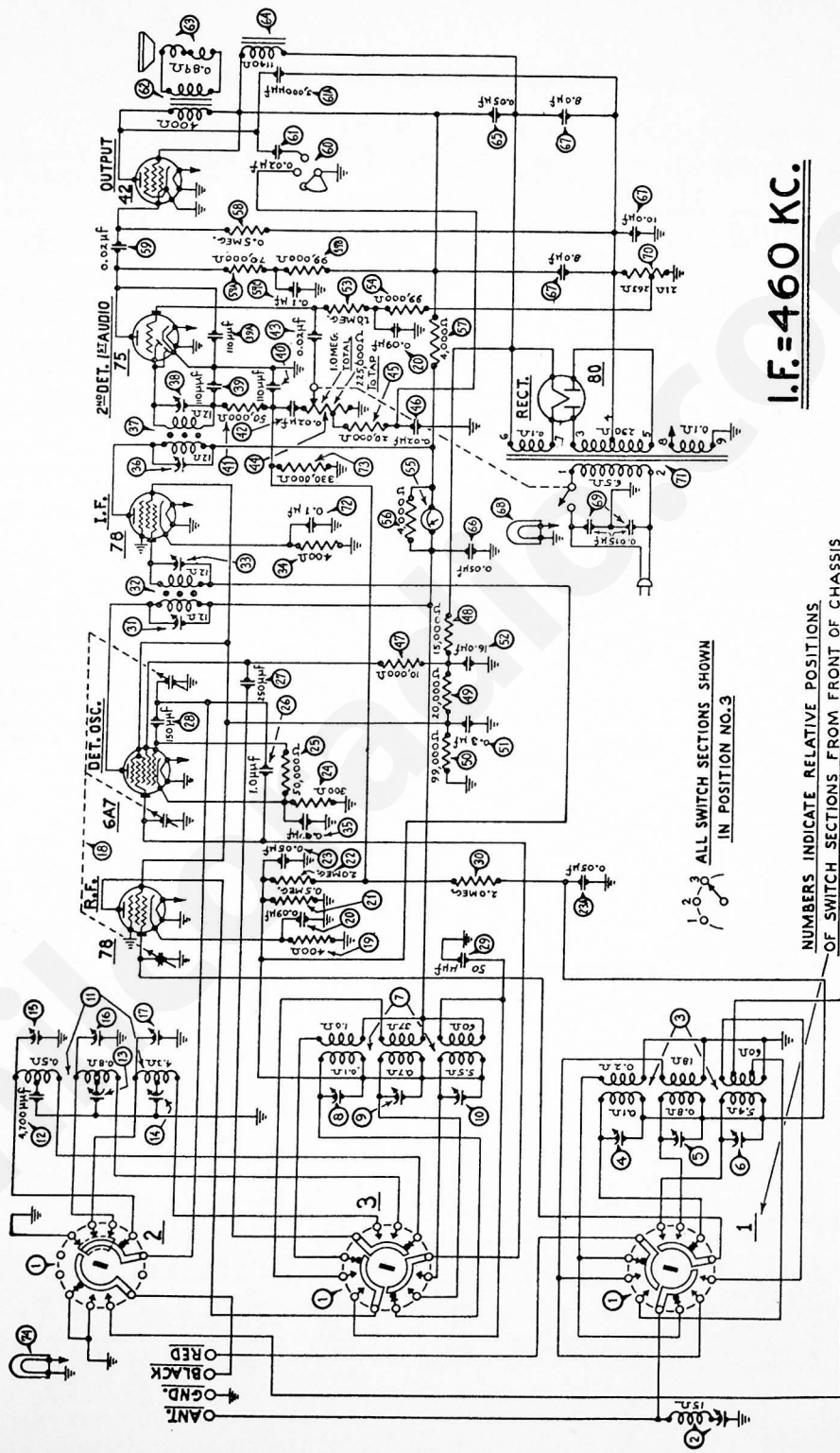


MODEL 630



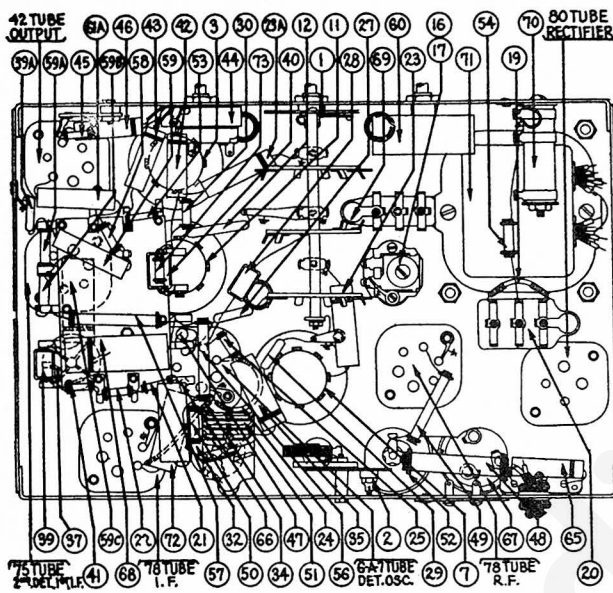
I.F. = 460 KC.

ALL SWITCH SECTIONS SHOWN
IN POSITION NO. 3

NUMBERS INDICATE RELATIVE POSITIONS
OF SWITCH SECTIONS FROM FRONT OF CHASSIS

ANT. 15N
RED
BLACK
COND.

Replacement Parts—Model 630

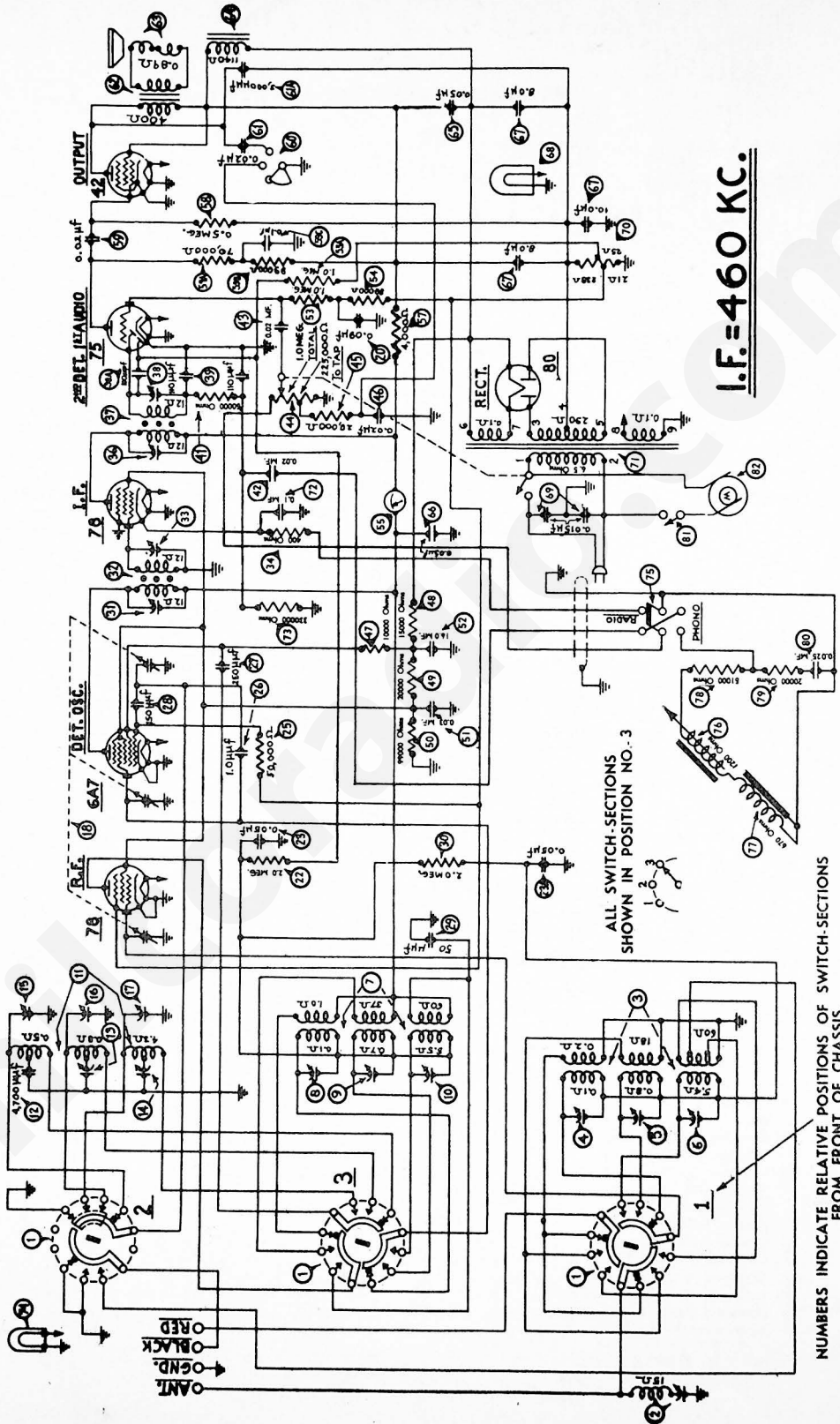


Description	Part No.
1st I.F. Transformer.....	32-1666
Compensating Condenser (1st I.F. Secondary)....	Part of ②
Resistor (400 ohms Flexible) (Yellow, Black, Brown).....	33-3016
Condenser (.1 Mfd. Tubular).....	30-4122
Compensating Condenser (2nd I.F. Pri.).....	Part of ⑦
2nd I.F. Transformer.....	32-1647
Compensating Condenser (2nd I.F. Sec.).....	Part of ②
Condenser (.00011 Mfd. Mica).....	30-1031
Condenser (.00011 Mfd. Mica).....	30-1031
Condenser (.00011 Mfd. Mica).....	30-1031
Resistor (50000 ohms) (Green, Brown, Orange)....	6098
Condenser (.02 Mfd. Tubular).....	30-4215
Condenser (.02 Mfd. Tubular).....	30-4215
Volume Control and On-Off Switch.....	33-5105
Resistor (20000 ohms) (Red, Black, Orange).....	33-1178
Condenser (.02 Mfd. Tubular).....	30-4215
Resistor (10000 ohms) (Brown, Black, Orange)....	4412
Resistor (15000 ohms) (Brown, Black, Orange)....	5718
Resistor (20000 ohms) (Red, Black, Orange).....	6649*
Resistor (99000 ohms) (White, White, Orange)....	6099†
Shadow Tuning Meter.....	6287-DG
Condenser (.3 Mfd. Bakelite Block).....	30-2118
Resistor (1 Meg.) (Brown, Black, Green).....	33-1096
Resistor (99000 ohms) (White, White, Orange)....	6099
Resistor (4000 ohms) (Yellow, Black, Red).....	45-2086
Resistor (4000 ohms) (Yellow, Black, Red).....	33-1040
Resistor (.5 meg.) (Yellow, White, Yellow).....	7832
Resistor (.5 meg.) (Yellow, White, Yellow).....	6097
Condenser (.02 Mfd. Tubular).....	30-4113
Resistor (70000 ohms) (Violet, Black, Orange)....	5385
Resistor (99000 ohms) (White, White, Orange)....	6099
Condenser (.1 Mfd. Tubular).....	30-4122
Tone Control (3 position).....	30-4332
Condenser in Tone Control.....	Part of ②
Condenser (.003 Mfd. Tubular).....	30-4042
Output Transformer.....	32-7178
Voice Coil & Cone Assembly (K-32).....	36-3159
Field Coil & Pot Assembly (K-32).....	36-3498
Condenser (.05 Mfd. Tubular).....	30-4020
Condenser (.05 Mfd. Tubular).....	30-4020
Condenser (8 Mfd., 8 Mfd., 10 Mfd. Electrolytic)...	30-2073
Pilot Lamp (Shadow Tuning Meter).....	Part of ②
Condenser (.015 Mfd. Twin Bakelite Block).....	3793-DG
Resistor (BC Wirewound—21 ohms, 263 ohms)....	33-3069
Power Transformer (115 Volts 60 Cycles).....	32-7384
(115 Volts 25 Cycles).....	32-7385
(230 Volts 50 Cycles).....	33-7386
Condenser (.1 Mfd. Tubular).....	30-4122
Resistor (330,000 ohms) (Orange, Orange, Yellow)...	33-1200
Pilot Lamp.....	34-2064
Dial Scale.....	27-5008
Dial Hub & Set Screw.....	31-1550
Dial Front Spring.....	28-2837
Knob (Station Selector).....	27-4206
Knob (Fine Tuning).....	27-4207
Knob (Waveband).....	27-4219
Knob (Volume Control, Tone Control).....	27-4208
Tube Shield.....	28-2726
Tube Shield Base.....	28-2725
Tube Socket (4-Prong).....	27-6034
Tube Socket (6-Prong).....	27-6036
Tube Socket (7-Prong).....	27-6037
Speaker Plug Socket.....	27-6033
Chassis Mtg. Screw.....	W-1495
Chassis Mtg. Washer (Rubber).....	27-4198
Electric Cord & Plug.....	L-943-A

Description	Part No.
Wave Band Switch.....	42-1107
Wavetrap.....	38-6850
Antenna Transformer.....	32-1699
Compensating Condenser (Ant. S.W.).....	Part of ②
Compensating Condenser (Ant. Police).....	Part of ②
Compensating Condenser (Ant. Standard).....	Part of ②
R. F. Transformer.....	32-1636
Compensating Condenser (R.F. Short-Wave).....	Part of ⑦
Compensating Condenser (R.F. Police).....	Part of ⑦
Compensating Condenser (R.F. Standard).....	Part of ⑦
Oscillator Transformer.....	32-1637
Condenser (.0047 Mfd. Mica).....	30-1052
Compensating Condenser (Osc. Police).....	Part of ⑩
Compensating Condenser (Osc. H. F. Standard)....	Part of ⑩
Compensating Condenser (Osc. S. W.).....	Part of ⑩
Compensating Condenser (Osc. L.F. Police) Part of	31-6027
Compensating Condenser (Osc. L.F. Standard) Part of	31-6027
Tuning Condenser Assembly.....	31-1526
Resistor (400 ohms Flexible) (Yellow, Black, Brown).....	33-3016
Condenser (.09 Mfd. Twin Bakelite Block).....	4989-DG
Resistor (.5 Meg.) (Yellow, White, Yellow).....	6097
Resistor (2 Megs.) (Red, Black, Green).....	33-1025
Condenser (.05 Mfd. Tubular).....	30-4020
Condenser (.05 Mfd. Tubular).....	30-4020
Resistor (300 ohms Flexible) (Orange, Black, Brown).....	33-3010
Resistor (50000 ohms) (Green, Brown, Orange)....	6098
Condenser (1 Mfd.).....	Part of ⑭
Condenser (.00025 Mfd. Mica).....	30-1032
Condenser (.00015 Mfd. Mica).....	30-1033
Condenser (.00005 Mfd. Mica).....	30-1029
Resistor (2 Megs.) (Red, Black, Green).....	33-1025
Compensating Condenser (1st I.F. Primary).....	Part of ⑲

*After Run 2, this is 10000 ohms, Part 3524.
 †After Run 2, this is 20000 ohms, Part 6650.

MODEL 630
(Later Production)



I.F. = 460 KC.

ALL SWITCH SECTIONS SHOWN IN POSITION NO. 3

NUMBERS INDICATE RELATIVE POSITIONS OF SWITCH SECTIONS FROM FRONT OF CHASSIS.

MODEL 630

Later 1935 Production Runs

This sheet also covers the Philco Radio-Phonograph 630PF. All circuit and part number changes up to date have been included.

Beginning with run No. 5 the grid bias arrangement for the 78 R.F. and 6A7 1st detector was changed. A fixed bias from the B.C. resistor is fed through the AVC circuit to the grids of these tubes.

PARTS LIST

Description	Part No.
① Wave Band Switch.....	42-1152
① Wavetrap.....	38-6850
① Antenna Transformer.....	32-1867
① Compensating Condenser (Ant. S.W.).....	Part of ③
① Compensating Condenser (Ant. Police).....	Part of ③
① Compensating Condenser (Ant. Standard).....	Part of ③
① R. F. Transformer.....	32-1868
① Compensating Condenser (R.F. Short-Wave).....	Part of ⑦
① Compensating Condenser (R.F. Police).....	Part of ⑦
① Compensating Condenser (R.F. Standard).....	Part of ⑦
① Oscillator Transformer.....	32-1869
① Condenser (.0047 Mfd. Mica).....	30-1052
① Compensating Condenser (Osc. Police).....	Part of ⑩
① Compensating Condenser (Osc. H.F. Standard).....	Part of ⑩
① Compensating Condenser (Osc. S.W.).....	Part of ⑩
① Compensating Condenser (Osc. L.F. Police).....	Part of 31-6027
① Compensating Condenser (Osc. L.F. Standard).....	Part of 31-6027
① Tuning Condenser Assembly.....	31-1741
① Condenser (.09 Mfd. Twin Bakelite Block).....	4989-DG
① Resistor (1 Meg.) (Brown, Black, Green).....	33-1096
① Condenser (.05 Mfd. Tubular).....	30-4020
①a Condenser (.05 Mfd. Tubular).....	30-4020
① Resistor (50000 ohms) (Green, Brown, Orange).....	6098
① Condenser (1 Mmf.).....	Part of ④
① Condenser (.00025 Mfd. Mica).....	30-1032
① Condenser (.00015 Mfd. Mica).....	30-1033
① Condenser (.00005 Mfd. Mica).....	30-1029
① Resistor (51000 ohms) (Green, Brown, Orange).....	6098
① Compensating Condenser (1st I.F. Primary).....	Part of ④
① 1st I.F. Transformer.....	32-1646
① Compensating Condenser (1st I.F. Secondary).....	Part of ④
① Resistor (400 ohms Flexible) (Yellow, Black, Brown).....	33-3016
① Compensating Condenser (2nd I.F. Pri.).....	Part of ④
① 2nd I.F. Transformer.....	32-1647
① Compensating Condenser (2nd I.F. Sec.).....	Part of ④
① Condenser (.00011 Mfd.) (Twin Bakelite).....	8035-DG
①a Condenser (.00011 Mfd. Mica).....	30-1031
① Condenser (.00011).....	Part of ④
① Resistor (50000 ohms) (Green, Brown, Orange).....	6098
① Condenser (.02 Mfd. Tubular).....	30-4215
① Condenser (.02 Mfd. Tubular).....	30-4215
① Volume Control and On-Off Switch.....	33-5105
① Resistor (20000 ohms) (Red, Black, Orange).....	33-1178
① Condenser (.02 Mfd. Tubular).....	30-4215
① Resistor (10000 ohms) (Brown, Black, Orange).....	4412
① Resistor (15000 ohms) (Brown, Black, Orange).....	5718
① Resistor (20000 ohms) (Red, Black, Orange).....	3524
① Resistor (20000 ohms) (Red, Black, Orange).....	6649
① Condenser (.15 Mfd. Tubular).....	40-4191
① Condenser (16 Mfd. Electrolytic).....	40-2118

Description	Part No.
① Resistor (1 Meg.) (Brown, Black, Green).....	33-1096
①a Resistor (1. Meg.) (Brown, Black, Green).....	33-1096
① Resistor (99000 ohms) (White, White, Orange).....	6099
① Shadow Tuning Meter.....	45-2086
① Condenser (.05 Mf. Twin Bakelite).....	3615-DG
① Resistor (4000 ohms) (Yellow, Black, Red).....	33-1031
① Resistor (490,000 ohms) (Yellow, White, Yellow).....	33-1097
① Condenser (.02 Mfd. Bakelite).....	8318-SU
①a Resistor (70000 ohms) (Violet, Black, Orange).....	5385
①b Resistor (99000 ohms) (White, White, Orange).....	6099
①c Condenser (.09 Mf. Bakelite).....	4989-SG
① Tone Control (3 position).....	30-4332
① Condenser in Tone Control.....	Part of ①
①a Condenser (.003 Mfd. Tubular).....	30-4042
① Output Transformer.....	32-7178
① Voice Coil & Cone Assembly (K-32).....	36-3159
① Field Coil & Pot Assembly (K-32).....	36-3498
① Condenser (.05 Mfd. Tubular).....	30-4020
① Condenser (.05 Mfd.).....	Part of ①
① Condenser (8 Mfd., 8 Mfd., 10 Mfd. Electrolytic).....	30-2073
① Pilot Lamp (Shadow Tuning Meter).....	Part of ①
① Condenser (.015 Mfd. Twin Bakelite Block).....	3793-DG
① Resistor (BC Wirewound—22 ohms, 25 ohms, 210 ohms).....	33-3222
① Power Transformer (115 Volts 60 Cycles).....	32-7384
(115 Volts 25 Cycles).....	32-7385
(230 Volts 50 Cycles).....	33-7386
① Condenser (.05 Mf.).....	Part of ①
① Resistor (330,000 ohms) (Orange, Orange, Yellow).....	33-1200
① Pilot Lamp.....	34-2039
① Phono Switch Cable Assy.....	35-3014
① Pickup Head Assy.....	35-2014
① Hum Bucking Coil Assy.....	32-1940
① Resistor (51,000 ohms).....	6098
① Resistor (20,000 ohms).....	33-1178
① Condenser (.025 Mf.).....	7653-SU
① Automatic Stop.....	6345
① Phono. Motor (115 V, 60 Cycle).....	35-1112
① Dial Scale.....	27-5098
① Dial Hub & Set Screw.....	31-1550
① Dial Front Spring.....	28-2837
① Knob (Station Selector).....	27-4206
① Knob (Fine Tuning).....	27-4207
① Knob (Waveband).....	27-4219
① Knob (Volume Control, Tone Control).....	27-4208
① Tube Shield.....	28-2726
① Tube Shield Base.....	28-2725
① Tube Socket (4-Prong).....	27-6034
① Tube Socket (6-Prong).....	27-6036
① Tube Socket (7-Prong).....	27-6037
① Speaker Plug Socket.....	27-6033
① Chassis Mfg. Screw.....	W-1495
① Chassis Mfg. Washer (Rubber).....	27-4198
① Electric Cord & Plug.....	L-943-A